

Orona 3G

1020

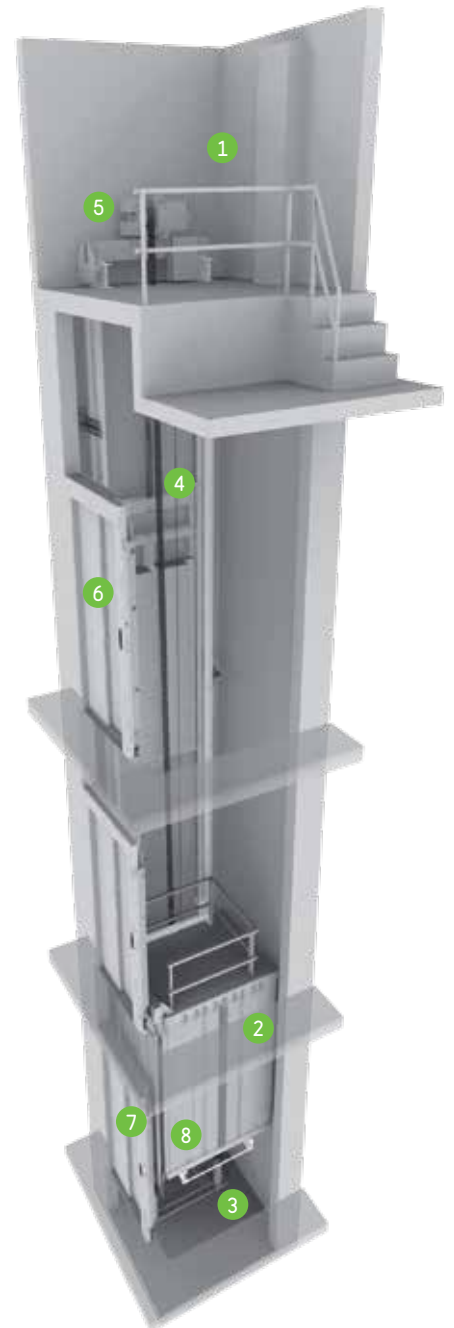
## Machine-room above electrical gearless solutions

With the latest direct drive (gearless) technology.  
The base solution with machine-room and latest technology.

### General specifications

Load	320 - 450 - 630 kg
Capacity	4 - 6 - 8 persons
Speed	1 m/s
Maximum travel	45 m
Maximum floors served	16 floors
Entrances	1 front / 2 open through / 2 front & side
Drive system	Direct gearless
Controller	ARCA II controller, low energy microprocessor
Door types	Automatic side-opening / Automatic central-opening
Clear door opening	700 / 800 / 900
Door height	2,000 / 2,100
Car dimensions	Standard car dimensions
Internal car height	2,100 / 2,200
Aesthetic solutions	DR1 / DR2 / DR3 / DR4 / DR5 / DR6 / DR7 / DR8 DS1 / DS2 / DS3 / DS4 / DS5 / Orona 3G Domo Plus

Standard Optional



#### 1 MACHINE-ROOM

A traditional solution simplifying lift maintenance.



#### 2 OPTIMISED PASSENGER UNIT

Saves space, reduces weight, improves safety, and improves the installation process.



#### 3 ACCESSIBLE SPACE BELOW THE PIT

Adapts the lift to suit buildings which have an accessible space below the pit (optional).



#### 4 TRACTION ROPES

Orona small diameter ropes replace traditional steel ropes. As a result of their lighter weight, longer lifespan and greater flexibility, it is possible to use a more compact, efficient and eco-friendly gearless machine.



#### 5 DRIVE

Compact, quiet, gearless, energy efficient, speed regulated (VVVF) permanent magnet electric motor.



#### 6 DOORS

Compact permanent magnet motor for fast, accurate and quiet door operation giving the most advanced performance. Advanced door opening and full height infra red door protection edges.



#### 7 AUTOMATIC RESCUE SYSTEM

With floor level indication to ensure fast, efficient and safe evacuation of passengers in the event of an emergency. As an option, the system can incorporate a fully-automatic rescue device to evacuate passengers in the event of a power failure.



#### 8 TWO-WAY COMMUNICATIONS

Between the lift and the emergency 24-hour Service Call Centre according to EN 81-28.



## Standard dimensions

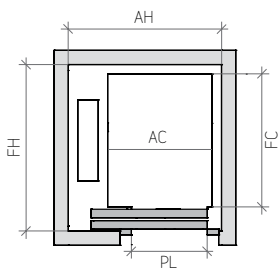
Load / Capacity		Car			Lift shaft *							
Persons	Q Load	AC Width	FC Depth	PL Clear opening	Entrances		Side-opening doors		Central-opening doors		HF Pit	HUP Last Floor
					Accessibility	No. of entrances	AH <sup>1</sup> Width	FH <sup>2</sup> Depth	AH Width	FH <sup>3</sup> Depth		
4	320 kg	825	1,100	700		1	1,325	1,350	1,600	1,300	1,000 (850) <sup>4</sup>	3,400
						2 x 180 <sup>0</sup>		1,500		1,400		
						2 x 90 <sup>0</sup>	1,450	1,350				
6	450 kg	1,000	1,250	800	♿	1	1,500	1,500	1,800	1,450	1,000 (850) <sup>4</sup>	3,400 (3,000) <sup>5</sup>
						2 x 180 <sup>0</sup>		1,650		1,550		
						2 x 90 <sup>0</sup>	1,625	1,500				
8	630 kg	1,100	1,400	900	♿	1	1,600	1,650	2,000	1,600	1,000 (850) <sup>4</sup>	3,400 (3,000) <sup>5</sup>
						2 x 180 <sup>0</sup>		1,800		1,700		
						2 x 90 <sup>0</sup>	1,725	1,650				
	1,200	1,250	900	♿	1	1,700	1,500	2,000	1,450	1,000 (850) <sup>4</sup>	3,400	
					2 x 180 <sup>0</sup>		1,650		1,550			
					2 x 90 <sup>0</sup>	1,825	1,575					

- 1 Accessible space below the pit (counterweight with safety gear) add 50 mm to AH
- 2 Shaft depth with door tracks projecting 60 mm on the landing
- 3 Shaft depth with door tracks projecting 40 mm on the landing

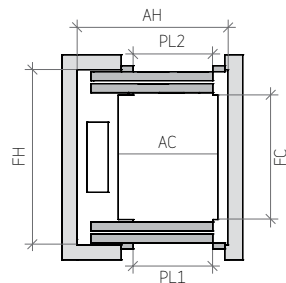
- 4 HF reduced pit optional 850 mm
  - 5 Minimum HUP for internal car height (HC) of 2,100 mm (HUP = HC + 1,300)  
HUP reduced headroom optional only for 6 and 8 persons (HUP = HC + 900)
- \* Minimum plumb measurements

## Layout

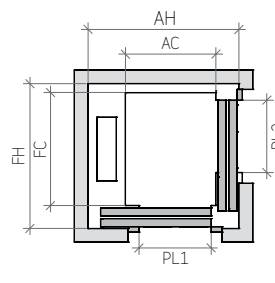
1 ENTRANCE



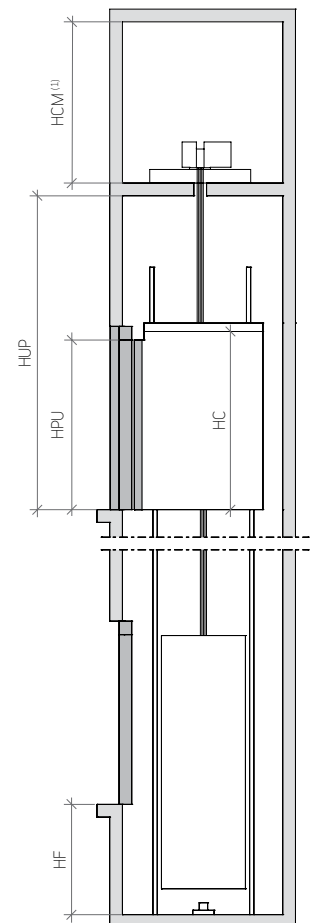
2 ENTRANCES (OPEN THROUGH)



2 ENTRANCES (FRONT & SIDE)

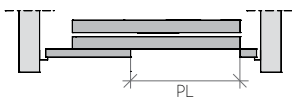


VERTICAL SECTION



(1) HCM - minimum 2,000 mm

WIDE-FRAMED DOOR DETAIL



Orona 3G

1025

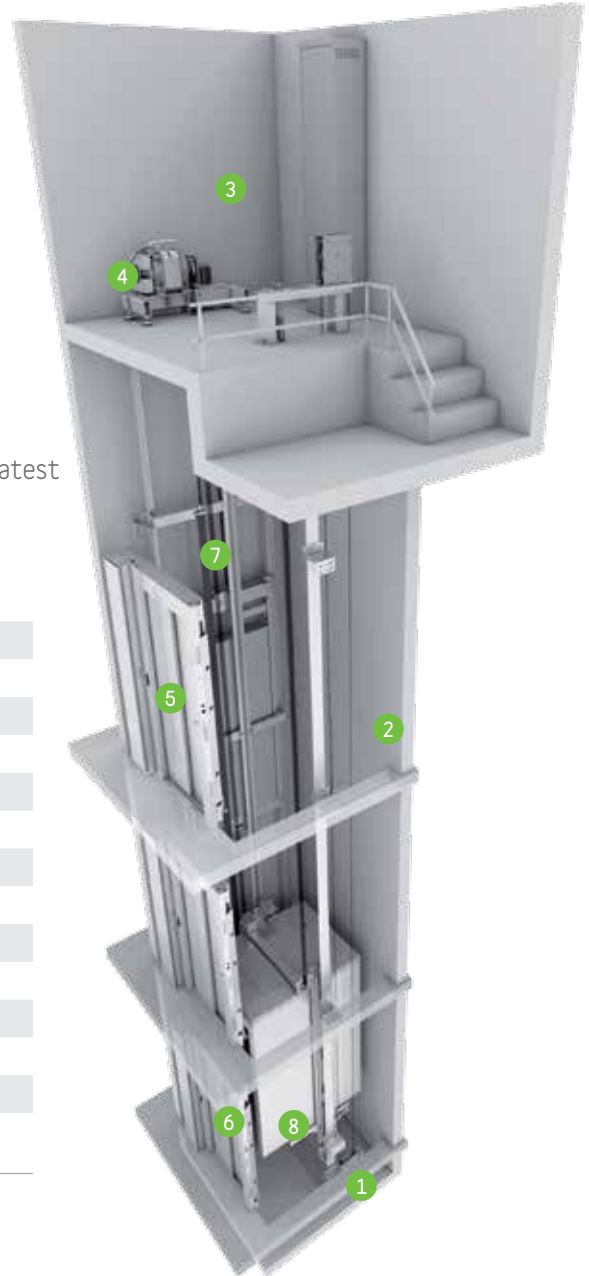
## Machine-room above electrical gearless solutions

With the latest direct drive (gearless) technology. The customised solution with machine-room, maximum flexibility and greatest performance.

### General specifications

Load	320 to 1,000 kg
Capacity	4 to 13 persons
Speed	1 - 1.6 m/s
Maximum travel	50 - 60 m
Maximum floors served	16 - 21 floors
Entrances	1 front / 2 open through
Drive system	Direct gearless
Controller	ARCA II controller, low energy microprocessor
Door types	Automatic side-opening / Automatic central-opening
Clear door opening	From 600 to 1,500 mm (in 100 mm increments)
Door height	2,000 / 2,100 / 2,200 / 2,300
Car dimensions	Parametric car dimensions
Internal car height	2,100 / 2,200 / 2,300 / 2,400
Aesthetic solutions	DR1 / DR2 / DR3 / DR4 / DR5 / DR6 / DR7 / DR8 DS1 / DS2 / DS3 / DS4 / DS5 / Orona 3G Domo Plus

Standard Optional



#### 1 ACCESSIBLE SPACE BELLOW THE PIT

Adapts the lift to suit buildings which have an accessible space below the pit (optional).



#### 2 PARAMETRIC/FLEXIBLE

Flexible car and door configurations ensure available shaft dimensions can be optimised (optional).



#### 3 MACHINE-ROOM

A traditional solution simplifying lift maintenance.



#### 4 DRIVE

Compact, quiet, gearless, energy efficient, speed regulated (VVVF) permanent magnet electric motor.



#### 5 DOORS

Compact permanent magnet motor for fast, accurate and quiet door operation giving the most advanced performance. Advanced door opening and full height infra red door protection edges for medium flow situations. Optional Solid Door for high flow situations.



#### 6 AUTOMATIC RESCUE SYSTEM

With floor level indication to ensure fast, efficient and safe evacuation of passengers in the event of an emergency. As an option, the system can incorporate a fully-automatic rescue device to evacuate passengers in the event of a power failure.



#### 7 TRACTION ROPES

Orona small diameter ropes replace traditional steel ropes. As a result of their lighter weight, longer lifespan and greater flexibility, it is possible to use a more compact, efficient and eco-friendly gearless machine.



#### 8 TWO-WAY COMMUNICATIONS

Between the lift and the emergency 24-hour Service Call Centre according to EN 81-28.



## Standard dimensions

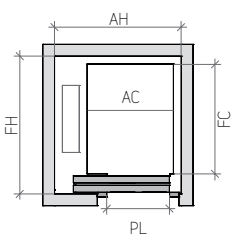
Load / Capacity			Car			Lift shaft *							
Speed	Persons	Q Load	AC Width	FC Depth	PL Clear opening	Entrances		Side-opening doors		Central-opening doors		HF Pit	HUP Last Floor
						Accessibility	No. of entrances	AH <sup>1</sup> Width	FH <sup>2</sup> Depth	AH Width	FH <sup>3</sup> Depth		
1 m/s	4	320 kg	825	1,100	700		1	1,300	1,350				
							2 x 180 <sup>0</sup>		1,500				
	6	450 kg	1,000	1,250	800	♿	1	1,450	1,500	1,725	1,450		
							2 x 180 <sup>0</sup>		1,650		1,550		
	8	630 kg	1,100	1,400	900		1	1,600	1,675	1,925	1,625		
							2 x 180 <sup>0</sup>		1,850		1,750		
	10	800 kg	1,350	1,400	900	♿	1	1,825	1,675	1,925	1,625		
							2 x 180 <sup>0</sup>		1,850		1,750		
13	1,000 kg	1,600	1,400	1,000		1	2,075	1,675	2,150	1,625			
						2 x 180 <sup>0</sup>		1,850		1,750			
		1,100	2,100	1,000		1	1,775	2,375	2,125	2,300			
						2 x 180 <sup>0</sup>		2,550		2,400			
1.6 m/s	4	320 kg	825	1,100	700		1	1,325	1,350				
							2 x 180 <sup>0</sup>		1,500				
	6	450 kg	1,000	1,250	800	♿	1	1,475	1,500	1,725	1,450		
							2 x 180 <sup>0</sup>		1,650		1,550		
	8	630 kg	1,100	1,400	900		1	1,625	1,675	1,925	1,625		
							2 x 180 <sup>0</sup>		1,850		1,750		
	10	800 kg	1,350	1,400	900	♿	1	1,850	1,675	1,925	1,625		
							2 x 180 <sup>0</sup>		1,850		1,750		
13	1,000 kg	1,600	1,400	1,000		1	2,100	1,675	2,175	1,625			
						2 x 180 <sup>0</sup>		1,850		1,750			
		1,100	2,100	1,000		1	1,775	2,375	2,125	2,300			
						2 x 180 <sup>0</sup>		2,550		2,400			

- 1 Accessible space below the pit (counterweight with safety gear) add 115 mm to AH
- 2 Shaft depth with door tracks projecting 60 mm on the landing
- 3 Shaft depth with door tracks projecting 40 mm on the landing

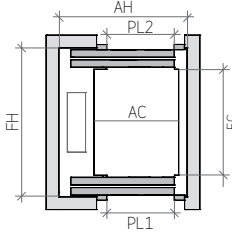
- 4 HF reduced pit optional 830 mm
  - 5 Minimum HUP for internal car height (HC) of 2,100 mm (HUP=HC+1,300)  
HF reduced pit optional (HUP=HC+900) Consult availability of car dimensions
- \* Minimum plumb measurements

## Layout

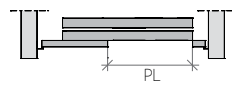
### 1 ENTRANCE



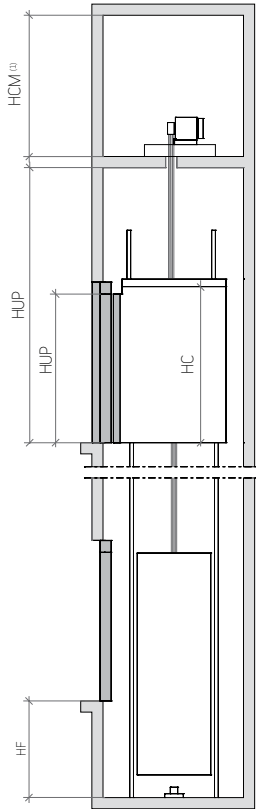
### 2 ENTRANCES (OPEN THROUGH)



### WIDE-FRAMED DOOR DETAIL



### VERTICAL SECTION



## Customised car dimensions

		Car width										Car depth									
		13	12	11	10	9	8	7	6	5	4	13	12	11	10	9	8	7	6	5	4
2,100	2,000	1,900	1,800	1,700	1,600	1,500	1,400	1,300	1,200	1,100	1,000	1,600	1,500	1,400	1,300	1,200	1,100	1,000	900	800	
												600	700	800	900	1,000	1,100	1,200	1,300	1,400	1,500

Note:  
Car width and depth variable in increments of 5 mm.  
For simplification, table samples show increments of 100 mm.

# Orona 3G 2025

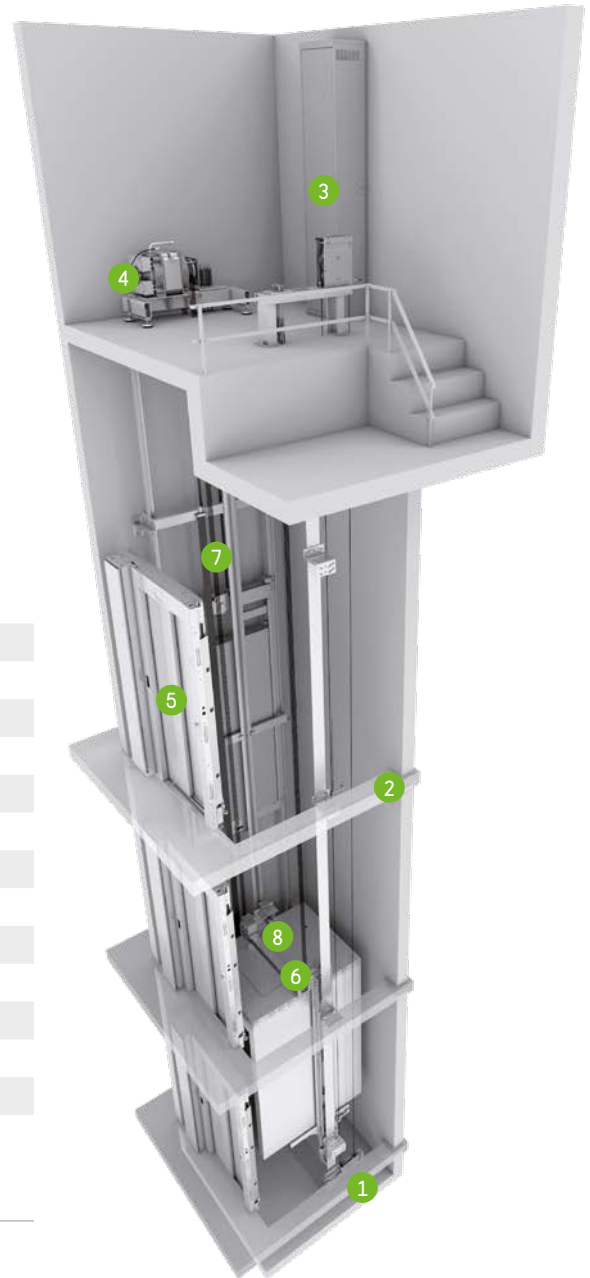
## Machine-room above electrical gearless solutions

With the latest direct drive technology in public buildings.  
Less noise and more accessible maintenance.  
The customised solution with a machine room and the latest technology.

### General specifications

Load	320 to 1,000 kg
Capacity	4 to 13 persons
Speed	1 - 1.6 m/s
Maximum travel	50 - 60 m
Maximum floors served	16 - 21 floors
Entrances	1 front / 2 open through
Drive system	Direct gearless
Controller	ARCA II controller, low energy microprocessor
Door types	Automatic side-opening / Automatic central-opening
Clear door opening	From 800 to 1,500 mm (in 100 mm increments)
Door height	2,000 / 2,100 / 2,200 / 2,300
Car dimensions	Parametric car dimensions
Internal car height	2,100 / 2,200 / 2,300 / 2,400
Aesthetic solutions	PR1 / PR2 / PR3 / PR4 / PR5 PS1 / PS2 / PS3 / PS4 / PS5 / PS6 / PS7 / PS8 / PS9 / Orona 3G Public Plus

Standard Optional



#### 1 ACCESSIBLE SPACE BELLOW THE PIT

Adapts the lift to suit buildings which have an accessible space below the pit (optional).



#### 2 PARAMETRIC/FLEXIBLE

Flexible car and door configurations ensure available shaft dimensions to meet the requirements of the lift well (optional).



#### 3 MACHINE-ROOM

A traditional solution simplifying lift maintenance.



#### 4 DRIVE

Compact, quiet, gearless, energy efficient, speed regulated (VVVF) permanent magnet electric motor.



#### 5 SOLID DOORS

Extra robust doors with reduced sound levels inside and outside the lift and which are specially constructed for high volume passenger traffic.



#### 6 AUTOMATIC RESCUE SYSTEM

With floor level indication to ensure fast, efficient and safe evacuation of passengers in the event of an emergency. As an option, the system can incorporate a fully-automatic rescue device to evacuate passengers in the event of a power failure.



#### 7 TRACTION ROPES

Orona small diameter ropes replace traditional steel ropes. As a result of their lighter weight, longer lifespan and greater flexibility, it is possible to use a more compact, efficient and eco-friendly gearless machine.



#### 8 TWO-WAY COMMUNICATIONS

Between the lift and the emergency 24-hour Service Call Centre according to EN 81-28.



ECO-EFFICIENCY



ADAPTABILITY



DESIGN AND ACCESSIBILITY



CONTROL AND SAFETY

## Standard dimensions

Load/Capacity			Car			Lift shaft*							
Speed	Persons	Q Load	AC Width	FC Depth	PL Clear opening	Entrances		Side-opening doors		Central-opening doors		HF Pit	HUP Last floor
						Accessibility	No. of entrances	AH <sup>1</sup> Width	FH <sup>2</sup> Depth	AH Width	FH <sup>3</sup> Depth		
1 m/s	4	320 kg	825	1,100	700		1	1,300	1,350				
							2 x 180 <sup>0</sup>		1,500				
	6	450 kg	1,000	1,250	800	♿	1	1,450	1,500	1,725	1,450		
							2 x 180 <sup>0</sup>		1,650		1,550		
	8	630 kg	1,100	1,400	900		1	1,600	1,675	1,925	1,625		
							2 x 180 <sup>0</sup>		1,850		1,750		
	10	800 kg	1,350	1,400	900	♿	1	1,825	1,675	1,925	1,625		
							2 x 180 <sup>0</sup>		1,850		1,750		
13	1,000 kg	1,600	1,400	1,000		1	2,075	1,675	2,150	1,625			
						2 x 180 <sup>0</sup>		1,850		1,750			
		1,100	2,100	1,000		1	1,775	2,375	2,125	2,300			
						2 x 180 <sup>0</sup>		2,550		2,400			
1.6 m/s	4	320 kg	825	1,100	700		1	1,325	1,350				
							2 x 180 <sup>0</sup>		1,500				
	6	450 kg	1,000	1,250	800	♿	1	1,475	1,500	1,725	1,450		
							2 x 180 <sup>0</sup>		1,650		1,550		
	8	630 kg	1,100	1,400	900		1	1,625	1,675	1,925	1,625		
							2 x 180 <sup>0</sup>		1,850		1,750		
	10	800 kg	1,350	1,400	900	♿	1	1,850	1,675	1,925	1,625		
							2 x 180 <sup>0</sup>		1,850		1,750		
13	1,000 kg	1,600	1,400	1,000		1	2,100	1,675	2,175	1,625			
						2 x 180 <sup>0</sup>		1,850		1,750			
		1,100	2,100	1,000		1	1,775	2,375	2,125	2,300			
						2 x 180 <sup>0</sup>		2,550		2,400			

- 1 Accessible space below the pit (counterweight with safety gear) add 115 mm to AH
  - 2 Shaft depth with door tracks projecting 60 mm on the landing
  - 3 Shaft depth with door tracks projecting 40 mm on the landing
  - 4 HF reduced pit optional 830 mm
  - 5 Minimum HUP for interior car height (HC) of 2,100 mm (HUP = HC + 1,300)  
HUP optional reduced (HUP = HC + 900). Consult availability of car dimensions.
- \* Minimum plumb measurements

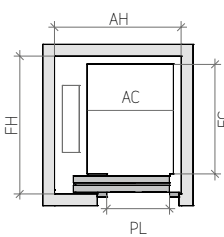
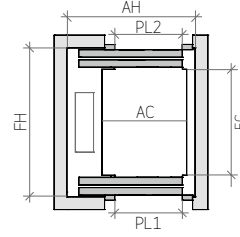
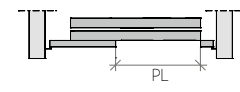
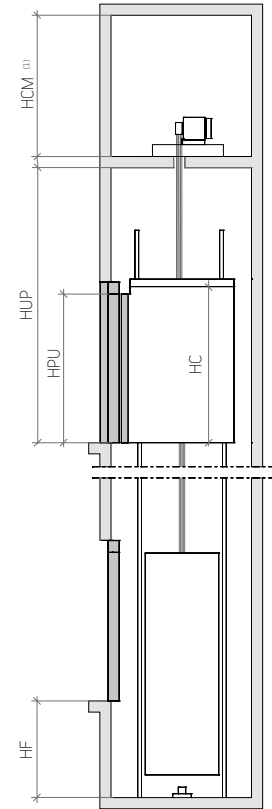
## Layout

1 ENTRANCE

2 ENTRANCES (OPEN THROUGH)

WIDE-FRAMED DOOR DETAIL

VERTICAL SECTION

## Customised car dimensions

Car width										
								13	12	1,600
								13	11	1,500
								13	12	1,400
								13	11	1,400
								13	12	1,300
								13	11	1,300
								13	12	1,200
								13	11	1,200
								13	12	1,100
								13	11	1,100
								13	12	1,000
								13	11	1,000
								13	12	900
								13	11	900
								13	12	800
								13	11	800
								13	12	900
								13	11	900

Car depth: 2,100 2,000 1,900 1,800 1,700 1,600 1,500 1,400 1,300 1,200

Clear door opening: 800 900 1,000 1,100 1,200 1,300 1,400 1,500

Note: Car width and depth variable in increments of 5 mm.  
For simplification, table samples show increments of 100 mm.

(1) HCM - minimum 2,000 mm

# Orona 3G 2026

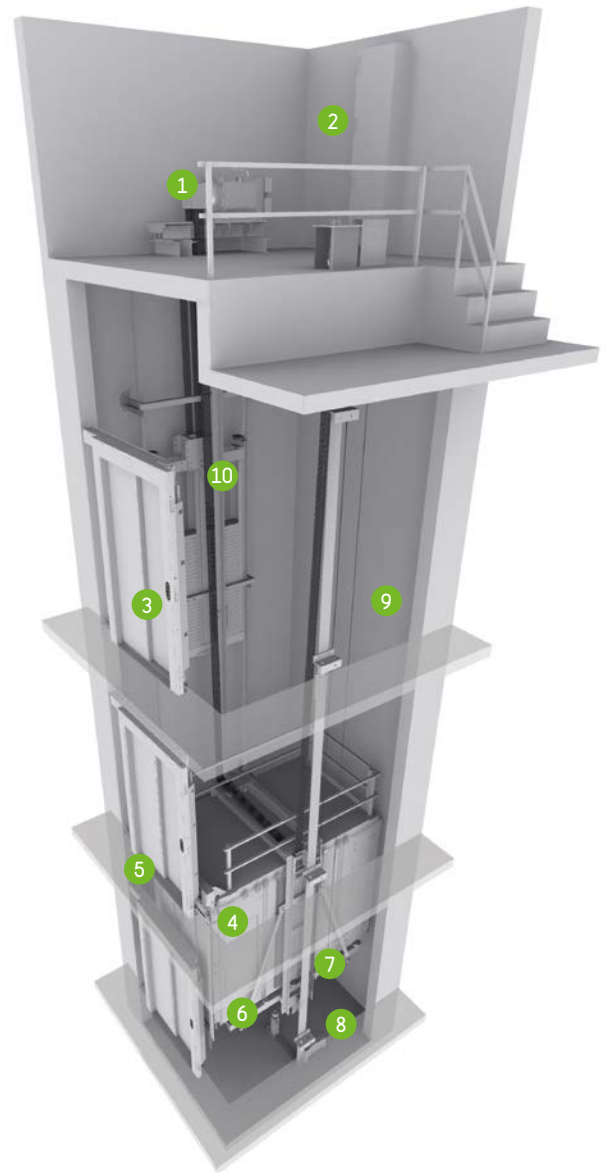
## Machine-room above electrical gearless solutions

With the latest direct drive technology in public buildings. Less noise and more accessible maintenance. The robust solution with machine room and the latest technology for heavy traffic.

### General specifications

Load	630 to 1,600 kg
Capacity	8 to 21 persons
Speed	1 - 1.6 m/s
Maximum travel	50 - 75 m
Maximum floors served	32 floors
Entrances	1 front / 2 open through
Drive system	Direct gearless
Controller	ARCA II controller, low energy microprocessor
Door types	Automatic side-opening / Automatic central-opening
Clear door opening	From 800 to 1,600 mm (in 100 mm increments)
Door height	2,000 / 2,100 / 2,200 / 2,300
Car dimensions	Parametric car dimensions
Internal car height	2,100 / 2,200 / 2,300 / 2,400
Aesthetic solutions	PR1 / PR2 / PR3 / PR4 / PR5 PS1 / PS2 / PS3 / PS4 / PS5 / PS6 / PS7 / PS8 / PS9 / Orona 3G Public Plus

Standard Optional



#### 1 DRIVE

Compact, quiet, gearless, energy efficient, speed regulated (VVVF) permanent magnet electric motor.



#### 2 MACHINE-ROOM

A traditional solution simplifying lift maintenance.



#### 3 SOLID DOORS

Extra robust doors with reduced sound levels inside and outside the lift and which are specially constructed for high volume passenger traffic.



#### 4 TWO-WAY COMMUNICATIONS

Between the lift and the emergency 24-hour Service Call Centre according to EN 81-28.



#### 5 AUTOMATIC RESCUE SYSTEM

With floor level indication to ensure fast, efficient and safe evacuation of passengers in the event of an emergency. As an option the system can incorporate a fully automatic rescue device to evacuate passengers in the event of a power failure.



#### 6 CARS

Reinforced wall panels and flooring provides durability for heavy duty usage. Flexible configurations offering optimum car and door dimensions.



#### 7 ROBUST LIFT CAR

Provides greater comfort during lift travel, with reduced vibration and noise.



#### 8 ACCESSIBLE SPACE BELOW THE PIT

Adapts the lift to suit buildings which have an accessible space below the pit (optional).



#### 9 PARAMETRIC/FLEXIBLE

Flexible car and door configurations ensure available shaft dimensions can be optimised (optional).



#### 10 TRACTION ROPES

Orona small diameter ropes replace traditional steel ropes. As a result of their lighter weight, longer lifespan and greater flexibility, it is possible to use a more compact, efficient and eco-friendly gearless machine.



ECO-EFFICIENCY



ADAPTABILITY



DESIGN AND ACCESSIBILITY



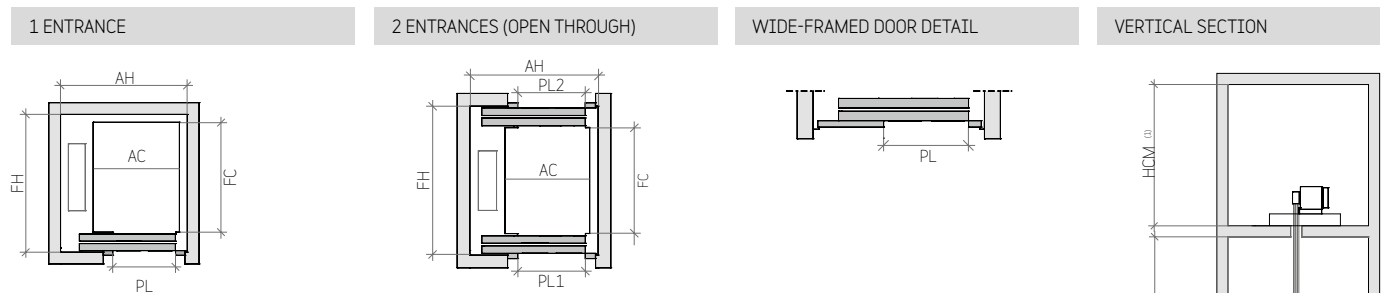
CONTROL AND SAFETY

# Standard dimensions

Load/Capacity			Car			Lift shaft*								
Speed	Persons	Q Load	AC Width	FC Depth	PL Clear opening	Entrances		Side-opening doors		Central-opening doors		HF Pit	HUP <sup>4</sup> Last floor	
						Accessibility	No. of entrances	AH <sup>1</sup> Width	FH <sup>2</sup> Depth	AH Width	FH <sup>3</sup> Depth			
1 m/s	8	630 kg	1,100	1,400	900	♿	1	1,700	1,675	1,950	1,625	1,050	3,400	
							2 x 180 <sup>0</sup>		1,850		1,750			
	10	800 kg	1,350	1,400	900		♿	1	1,975	1,675	1,975			1,625
								2 x 180 <sup>0</sup>		1,850				1,750
	13	1,000 kg	1,600	1,400	1,000		♿	1	2,225	1,675	2,225			1,625
						2 x 180 <sup>0</sup>		1,850		1,750				
	17	1,275 kg	2,000	1,400	1,100	♿		1	1,775	2,375	2,750			1,650
								2 x 180 <sup>0</sup>		2,550				1,750
	21	1,600 kg	2,100	1,600	1,100	♿		1	1,935	2,600	2,850			1,850
							2 x 180 <sup>0</sup>	2,750		1,950				
1.6 m/s	8	630 kg	1,100	1,400	900	♿	1	1,725	1,675	1,950	1,625	1,200	3,550	
							2 x 180 <sup>0</sup>		1,850		1,750			
	10	800 kg	1,350	1,400	900		♿	1	1,975	1,675	1,975			1,625
								2 x 180 <sup>0</sup>		1,850				1,750
	13	1,000 kg	1,600	1,400	1,000		♿	1	2,225	1,675	2,225			1,625
						2 x 180 <sup>0</sup>		1,850		1,750				
	17	1,275 kg	2,000	1,400	1,100	♿		1	1,775	2,375	2,750			1,650
								2 x 180 <sup>0</sup>		2,550				1,750
	21	1,600 kg	2,100	1,600	1,100	♿		1	1,935	2,600	2,850			1,850
							2 x 180 <sup>0</sup>	2,750		1,950				
21	1,600 kg	2,100	1,600	1,200	♿	1	2,085	2,700	2,850	1,950				
						2 x 180 <sup>0</sup>		2,850		2,850				

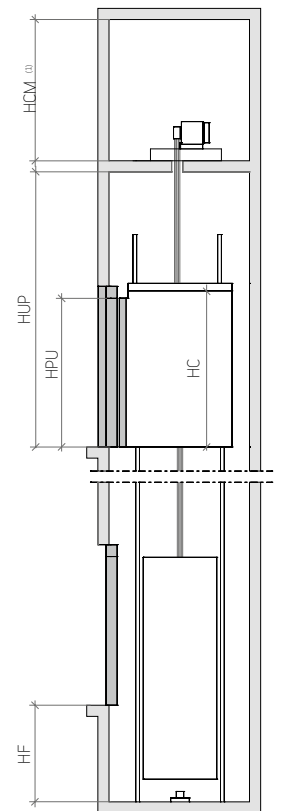
- 1 Accessible space below the pit (counterweight with safety gear) add 50 mm to AH
  - 2 Shaft depth with door tracks projecting 60 mm on the landing
  - 3 Shaft depth with door tracks projecting 40 mm on the landing
  - 4 Minimum HUP for internal car height (HC) of 2,100 mm.
- \* Minimum plumb measurements

## Layout



## Customised car dimensions

Car width												Car depth	Clear door opening														
2,500	2,400	2,300	2,200	2,100	2,000	1,900	1,800	1,700	1,600	1,500	1,400		1,300	1,200	900	800	900	1,000	1,100	1,200	1,300	1,400	1,500	1,600			
											21	20	18														
						21	20	18	17																		
					21	20	19	17	16																		
					21	20	19	18	16	15	14																
					21	21	19	18	16	15	14	13	12														
					21	21	19	18	17	15	14	13	13	11													
					21	21	19	18	17	16	15	14	13	12	11	10											
					21	21	19	18	17	16	15	14	13	12	11	10	9	8									
					21	21	19	18	17	16	15	14	13	12	11	10	9	9	8								
					21	21	19	18	17	16	15	14	13	12	11	11	10	9	8	8							
					21	21	19	18	17	16	15	14	13	12	11	11	10	9	8								
					21	21	19	18	17	16	15	14	13	12	11	10	10	9	8								
					21	21	19	18	17	16	15	14	13	12	11	10	9	8	8								
					21	21	19	18	17	16	15	14	13	12	11	10	9	8	8								



Note: Car width and depth variable in increments of 5 mm. For simplification, table samples show increments of 100 mm.

(1) HCM - minimum 2,000 mm